

The model **5660** is designed to reduce high inlet pressures to working pressures. Careful design and quality materials throughout assure long, trouble-free operation in the most difficult industrial environments.

## FEATURES:

- Non-venting
- Seating surface is field repairable by simply rotating the seat block 180 degrees to a new seating surface

## SPECIFICATIONS:

**Connection:** 1/4" NPT

**Temperature Range:** -70°F to 225°F (-57°C to 107°C)

**Maximum Inlet Pressure:** 6000 psig at 100 °F (38°C)

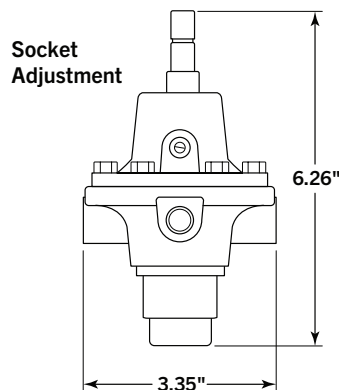
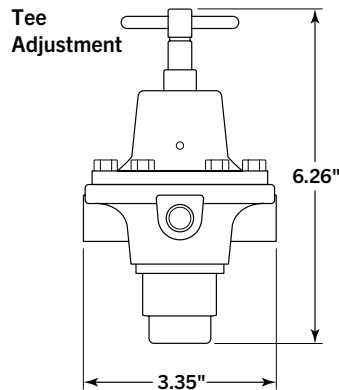
**Outlet Pressure:** 0 to 125 psi, 0 to 150 psi & 0 to 225 psi

## Materials of Construction

Description	Material
Body & Bonnet	Forged Brass
Seat	Nylon
Description	Material
Seals	TFE & Buna-N
Nozzle	316 Stainless Steel
Filter	40 Micron Screen

## Ordering Information

Model 5660		
Max. Outlet Pressure	Adjusting Screw	Model Number
125 psi	Socket Tee	5660-1-2
150 psi	Socket Tee	5660-3-4
225 psi	Socket Tee	5660-5-6



## Flow Capacities, scfh of 0.6 Specific Gravity Gas

Spring Range (psig)	Outlet Press. Setting (psig)	Inlet Pressure (psig)						
		100	250	500	750	1000	1500	2000
0 to 125	25	290	480	650	750	770	800	820
	50	400	800	1000	1200	1300	1400	1500
	75	400	900	1400	1600	1700	1800	1900
0 to 150	75	350	800	1300	1500	1600	1700	1800
	150	—	1000	1800	2300	2600	2800	3000
0 to 225	150	—	900	1700	2200	2250	2750	3000
	225	—	800	2100	2900	3500	4000	4500

NOTE: Taylor Valve reserves the right to change product designs and specifications without notice.

A BRAND OF  Taylor Valve Technology®

# 5660 High Pressure Regulator



Taylor Valve Technology

8300 S.W. 8th Street

Oklahoma City, Oklahoma 73128

TEL 405.787.0145

FAX 800.805.3401

WEB [taylorvalve.com](http://taylorvalve.com)

INFO [info@taylorvalve.com](mailto:info@taylorvalve.com)