

ACCUTRAK™ ROTARY POSITION MONITORS

FLAMEPROOF - ATEX/IEC

Rotary position monitors certified to Exd Flameproof and specifically engineered for hazardous environments. Available with a range of position sensors and switches



FEATURES

- Flameproof design meeting a wide range of worldwide approvals.
- Touch set cams are hand adjustable, spring loaded and self-locking providing quick calibration of position switches and sensors.
- Strong durable Beacon™ offers 360° visual indication in a choice of styles and colors.
- Terminal strips are pre-wired and numbered with generous working space for ease of use.
- Additional conduit for easy field wiring and mounting accessories as standard.
- Wide range of switches and sensors.
- Position transmitter option.
- Switch stabilisation plate.
- Standardized mounting pattern for easy adaptation to common bracketry.
- Range of drive shaft options.
- Aluminum enclosures with ultra-low copper content (0.2% maximum) ensure robust performance in corrosive environments.
- Rugged stainless steel enclosures.
- IP rated plugs certified where applicable.

TECHNICAL DATA

Agency approvals

Area classification (ATEX/IEC)

2200 series	Ex II 2 GD Ex db IIB+H2 T* Gb
2600 series	Ex II 2 GD Ex db IIC T* Gb Ex tb IIIC T*°C Db

Enclosure standards (IEC)

All enclosures	IP66/67
----------------	---------

Switches

All models	V3 SPDT mechanical switches DPDT mechanical switches V3 inductive proximity sensors Magnum SPDT (hermetically sealed proximity type) switches
------------	--

Enclosures

All models	Aluminum Stainless steel CF8M (316)
------------	--

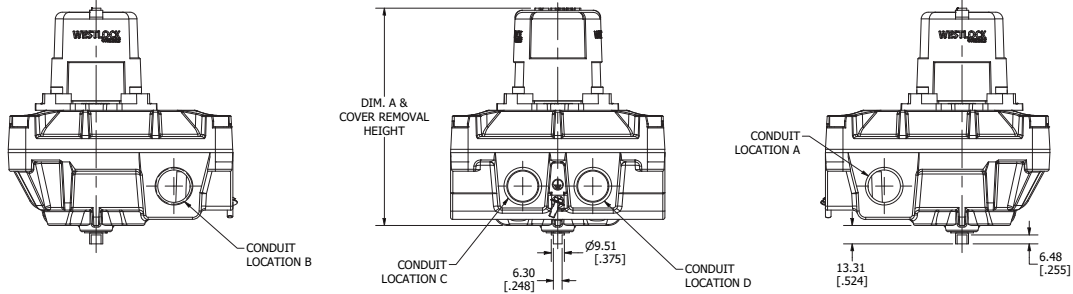
GENERAL APPLICATION

AccuTrak position monitors are ideal for manual and automated rotary valves. They provide consistent and accurate valve monitoring in a compact unit which can be mounted directly or via a valve actuator.

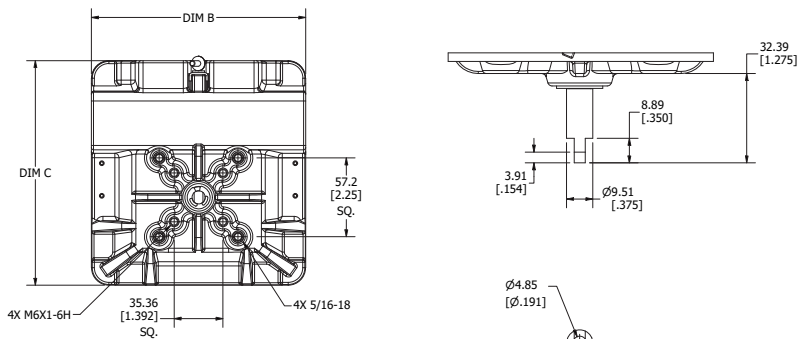
ACCUTRAK™ ROTARY POSITION MONITORS

FLAMEPROOF - ATEX/IEC

2200 SERIES ENCLOSURE DIMENSIONS



HOUSING DIMENSIONS		
COVER TYPE	DIM. A	COVER REMOVAL HEIGHT
HI COVER	211.1 [8.31]	332.3 [13.08]
STD. COVER	157.8 [6.21]	247.2 [9.73]
FLAT COVER	88.4 [3.48]	111.3 [4.38]



Dimensions in mm, imperial dimensions (inches) in parenthesis

TECHNICAL SPECIFICATIONS

Materials of construction	
Enclosure	Aluminum with powder coat finish Stainless steel with electropolished finish
Temp. range	-30°C to +85°C (Flat cover -20°C to +85°C)
Shaft and hardware	Stainless steel
Bushing	Oil impregnated bronze (aluminum enclosure) PTFE (stainless steel enclosure)
Beacon visual indicator	Co-polyester
Drive shaft	
Westlock standard	Double-D with 1/2" A/F
NAMUR standard	NAMUR standard VDI/VDE 3845
Available switches	
	V3 SPDT mechanical switches
	DPDT mechanical switches
	V3 inductive proximity sensors
	Magnum SPDT (hermetically sealed proximity type) switches

NOTES

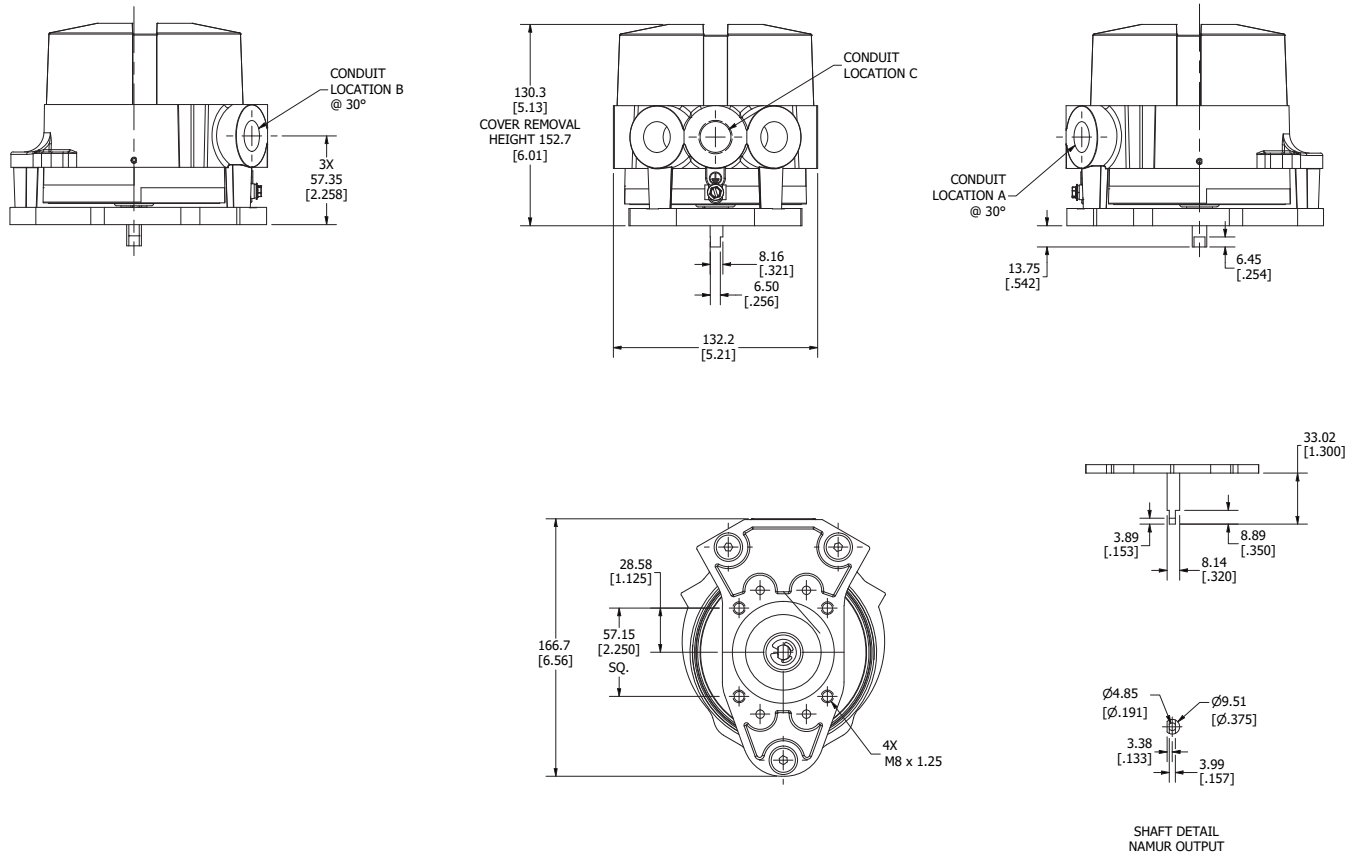
1. See selection guide for standard conduit entries
2. See switches and sensors data sheet for further information
3. Please consult your sales office for any other requirements



ACCUTRAK™ ROTARY POSITION MONITORS

FLAMEPROOF - ATEX/IEC

2600 SERIES ENCLOSURE DIMENSIONS



Dimensions in mm, imperial dimensions (inches) in parenthesis

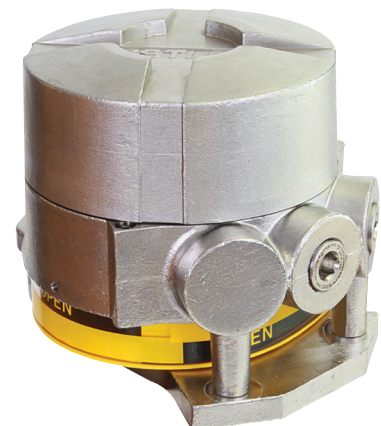
TECHNICAL SPECIFICATIONS

Materials of construction

Enclosure	Aluminum with powder coat finish Stainless steel with electropolished finish
Temp. range	-60°C to +110°C
Shaft and hardware	Stainless steel with electropolished finish
Bushing	Oil impregnated bronze (aluminum enclosure) PTFE (stainless steel enclosure)
Beacon visual indicator	Co-polyester
Drive shaft	
Westlock standard	Double-D with 1/4" A/F
NAMUR standard	NAMUR standard VDI/VDE 3845
Available switches	
	V3 SPDT mechanical switches
	DPDT mechanical switches
	V3 inductive proximity sensors
	Magnum SPDT (hermetically sealed proximity type) switches

NOTES

1. See selection guide for standard conduit entries
2. See switches & sensors data sheet for further information
3. Please consult your sales office for any other requirements



ACCUTRAK™ ROTARY POSITION MONITORS

2200 SERIES SELECTION GUIDE

Housing	22	2200 with flanged lid
Cover style	4	With Beacon visual indication
	6	No visual indication
Switch type	5	Microswitch SPDT contacts
	6	Microswitch DPDT contacts
	7	V3 Inductive sensor
	9	Magnum proximity switch
	0	No switches fitted
Material	A	Aluminum
	S	Stainless steel
Beacon type and color	BY	Black/Yellow
	AR	ANSI Red/White
	GR	Green/Red
	00	No Beacon fitted
	B1	BM3-1 pattern 90°
	B3	BM3-3 pattern 90°
	B5	BM3-5 pattern 90°
	B7	BM3-7 pattern 180°
	B9	BM3-9 pattern 180°
Drive shaft type	S	Westlock standard - 1/4" A/F (6.32 mm)
	N	NAMUR standard shaft - VDI/VDE 3845
	*	Non-standard (consult sales office)
Ancillary options	000	No ancillary options
	ODS	4-20 mA Digital Signal Position Transmitter (available with switch types 5, 7 and 9 only)
Switch/sensor quantity	0	No switch/sensor fitted
	2	Two switches/sensors
	4	Four switches/sensors
	6	Six switches/sensors (consult sales office)
Conduit entries supplied	2	Two entries - standard
	4	Four entries (consult sales office)
Unit specification	AAA	Standard build- M20 conduit entries
	ADZ	3/4" NPT conduit entries
	EIS	2 x 3/4 NPT + 2 x 1/2 NPT
	***	Non-standard material (consult sales office)
Certification	A	ATEX & IECEx
	*	Other options (consult sales office)
Revision	R*	Internal revision #
	R3	= Model number 2249ABYN00022AAA-AR3

NOTES

1. Please contact your sales office for guidance on selecting the best possible combination for your control and monitoring requirements.
2. See Hazardous area classification technical bulletin for further information on global standards.

ACCUTRAK™ ROTARY POSITION MONITORS

2600 SERIES SELECTION GUIDE

Housing	26	2600 with screw lid
Cover style	4	With Beacon visual indication
	6	No visual indication
Switch type	5	Microswitch SPDT contacts
	6	Microswitch DPDT contacts
	7	V3 Inductive sensor
	9	Magnum proximity switch
	0	No switches fitted
Material	A	Aluminum
	S	Stainless steel
Beacon type and color	BY	Black/Yellow
	AR	ANSI Red/White
	GR	Green/Red
	00	No Beacon fitted
	B1	BM3-1 pattern 90°
	B3	BM3-3 pattern 90°
	B5	BM3-5 pattern 90°
	B7	BM3-7 pattern 180°
	B9	BM3-9 pattern 180°
Drive shaft type	S	Westlock standard - 1/4" A/F (6.32 mm)
	N	NAMUR standard shaft - VDI/VDE 3845
	*	Non-standard (consult sales office)
Ancillary options	000	No ancillary options
	ODS	4-20 mA Digital Signal Position Transmitter (available with switch types 5, 7, and 9 only)
Switch/sensor quantity	0	No switch/sensor fitted
	2	Two switches/sensors
	4	Four switches/sensors (consult sales office)
Conduit entries supplied	2	Two entries - standard
	3	Three entries
	4	Four entries (consult sales office)
Unit specification	AAA	Standard build- M20 conduit entries
	ADZ	3/4" NPT conduit entries
	***	Non-standard material (consult sales office)
Certification	A	ATEX & IECEx
	*	Other options (consult sales office)
Revision	R*	Internal revision #
	R2	= Model number 2649SBYN0002AAA-AR2

NOTES

1. Please contact your sales office for guidance on selecting the best possible combination for your control and monitoring requirements.
2. See Hazardous area classification technical bulletin for further information on global standards.

Translations

Where translated the copy is taken from the original English document TD10054-EN as checked by the relevant notified certification body and therefore the original English document will prevail. No rights or liability can be derived from any translation.

Crane Co., and its subsidiaries cannot accept responsibility for possible errors in catalogues, brochures, other printed materials, and website information. Crane Co. reserves the right to alter its products without notice, including products already on order provided that such alterations can be made without changes being necessary in specifications already agreed. All trademarks in this material are the property of Crane Co. or its subsidiaries. The Crane and Crane brands logotype (WESTLOCK CONTROLS®) are registered trademarks of Crane Co. All rights reserved.



WESTLOCK CONTROLS

Head Office
280 N. Midland Avenue, Ste. 258
Saddle Brook, NJ 07663
United States

USA
+1 201 794 7650

EUROPE
+44 (0)1892 516277

ASIA
+65 6266 4535